

Pallet Forks

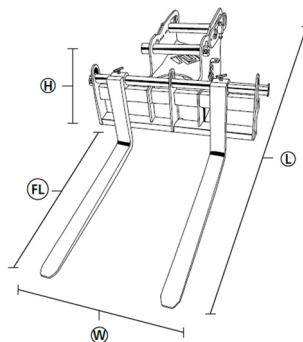
available for hire or purchase from
Coyle Equipment services!

Bolt on adaptor plate for strength and longevity means the excavator fork attachment is tailored to your excavator.

Weight range 8 - 35 T

Applications:

Moving heavy loads around site safely
Loading and unloading of vehicles
Loler Certified



PRODUCT CODE	HEIGHT	WIDTH	LENGTH	WEIGHT	SWL	COMPATIBILITY	TYPE
EF350	620	1020	1788	190	1200	3-9 Tonne	Floating Tine
EF1000	620	1400	2082	320	3000	12-25 Tonne	Floating Tine
EF4000	702	1500	2890	900	5000	25 - 40 Tonne	Fixed Tine

London: 0208 903 8020 - info@cesbreakerhire.co.uk
Birmingham: 01527 336 116 - midlands@cesbreakerhire.co.uk
South West: 0117 203 4368 - southwest@cesbreakerhire.co.uk

www.cesbreakerhire.co.uk

