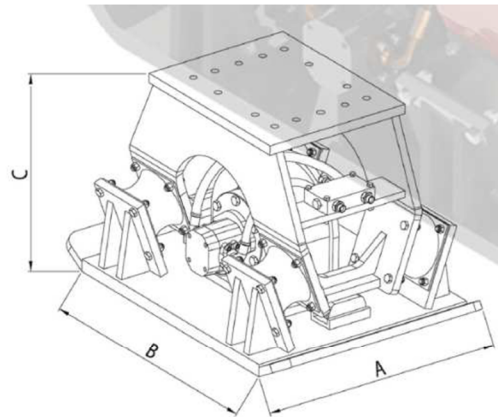


CMP70

HYDRAULIC COMPACTOR



PC Hydraulic Compactors are mounted on Mini Excavators, Backhoe-Loaders and similar Main Machines with hydraulic power unit. Hydraulic Compactor does compacting by high frequency impact power. This vibration force is used for compacting of soil, granular material, piles, driving of post and steel sheeting timber. The optional rotation function turns the compactor 360 degree.

5



TECHNICAL INFORMATION		
Operating Weight	Kg Lb	865 1885
Compacting Power	Kg Lb	6000 13228
Frequency	N/m	2000
Operating Pressure	Bar PSI	150 2200
Oil Flow	LPM GPM	110 30
Height-C	mm in	700 27
Bottom Plate Axb	mm in	815x1025 29x40
Suitable Excavator	Ton lb	10-25 22000-55000