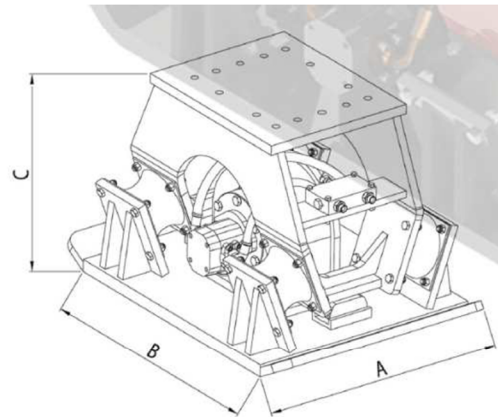


CMP120

HYDRAULIC COMPACTOR



PC Hydraulic Compactors are mounted on Mini Excavators, Backhoe-Loaders and similar Main Machines with hydraulic power unit. Hydraulic Compactor does compacting by high frequency impact power. This vibration force is used for compacting of soil, granular material, piles, driving of post and steel sheeting timber. The optional rotation function turns the compactor 360 degree.

5



| TECHNICAL INFORMATION | | |
|------------------------------|------------|-----------------------|
| Operating Weight | Kg Lb | 1020 2223 |
| Compacting Power | Kg Lb | 9900 22000 |
| Frequency | N/m | 2100 |
| Operating Pressure | Bar PSI | 150 2200 |
| Oil Flow | LPM GPM | 210 55 |
| Height-C | mm in | 750 30 |
| Bottom Plate Axb | mm in | 860x1070 34x47 |
| Suitable Excavator | Ton lb | 25-60 55000-132000 |